



## Handling System for Hood type Pre-wash Infill Top with Bowl Right to Left, 1000mm

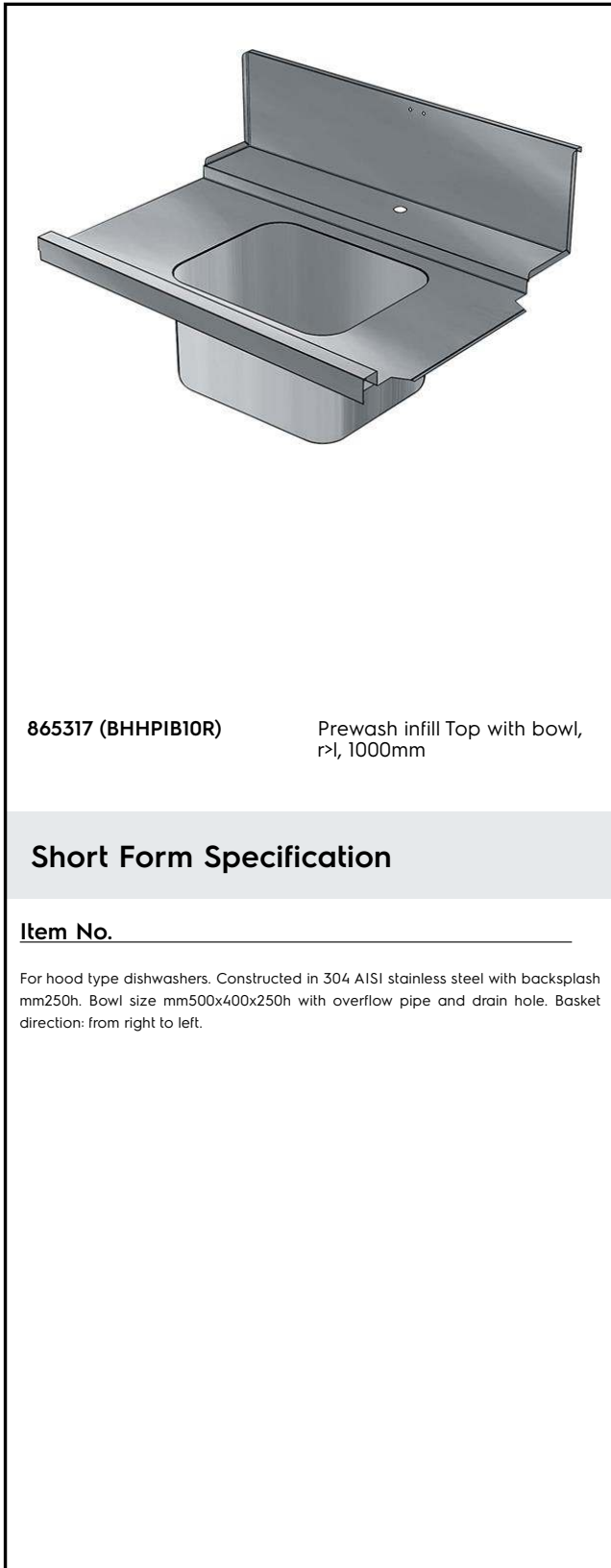
ITEM # \_\_\_\_\_

MODEL # \_\_\_\_\_

NAME # \_\_\_\_\_

SIS # \_\_\_\_\_

AIA # \_\_\_\_\_



865317 (BHHPIB10R)

Prewash infill Top with bowl,  
r>, 1000mm

### Short Form Specification

Item No. \_\_\_\_\_

For hood type dishwashers. Constructed in 304 AISI stainless steel with back splash mm250h. Bowl size mm500x400x250h with overflow pipe and drain hole. Basket direction: from right to left.

### Main Features

- To be secured to the dishwasher and fitted to the receiving and sorting tables at the other end.
- Designed for 500x500 mm dishwashing racks.

### Construction

- Deep anti-drip profiles completely folded with lower edge for safe and easy cleaning.
- All surfaces smooth with polished finish.
- 304 AISI stainless steel construction throughout.
- Included splashback to prevent water spatter.

### Optional Accessories

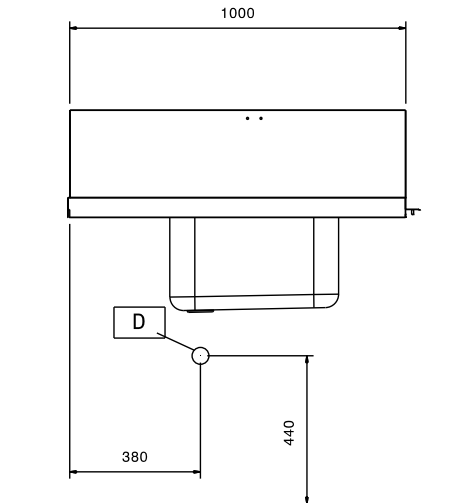
- Single plastic drain syphon 2 " for Sinks PNC 895313

APPROVAL: \_\_\_\_\_

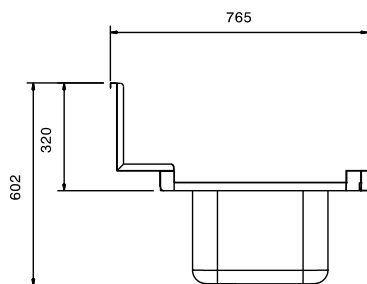


Experience the Excellence  
[www.electroluxprofessional.com](http://www.electroluxprofessional.com)

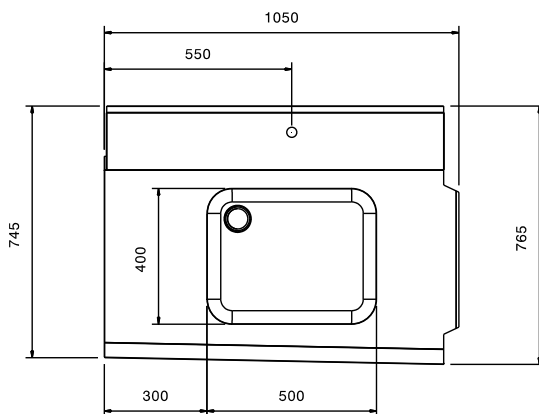
Front



Side



Top


**Key Information:**

External dimensions, Width:	
865317 (BHHP1B10R)	1050 mm
External dimensions, Depth:	765 mm
External dimensions, Height:	600 mm
Net weight:	8 kg
Basin dimensions:	500x400x300h
Feeding direction:	from Right to Left